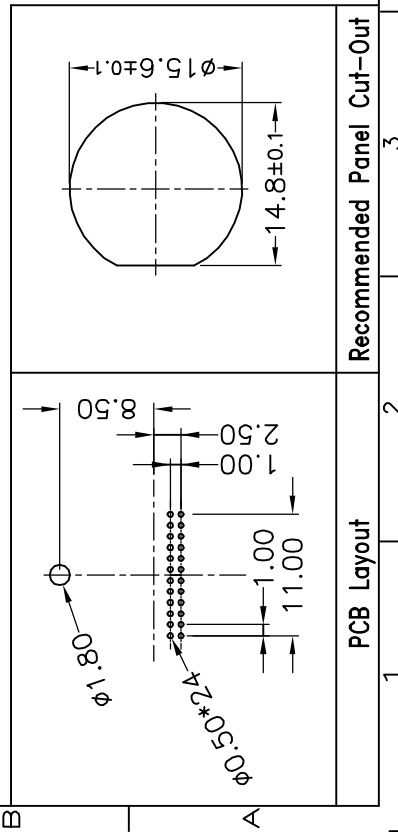
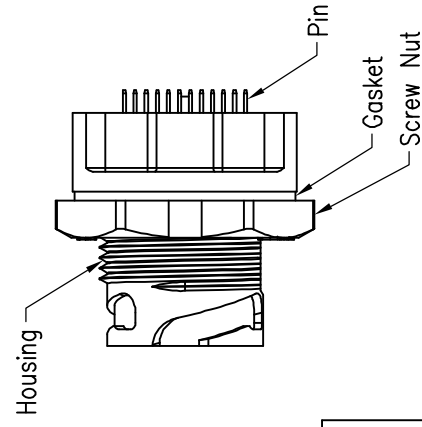
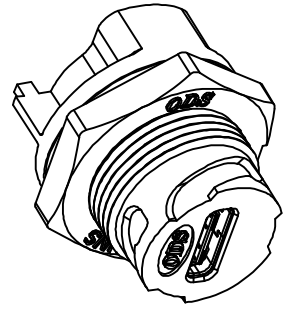
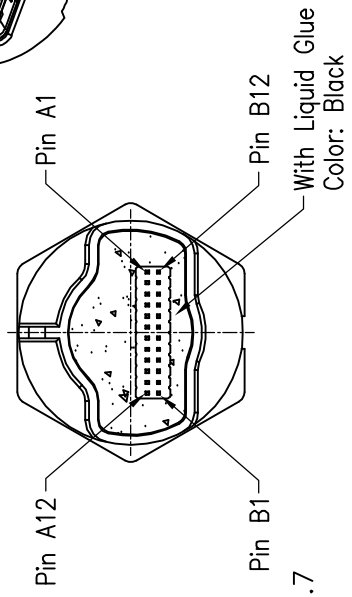
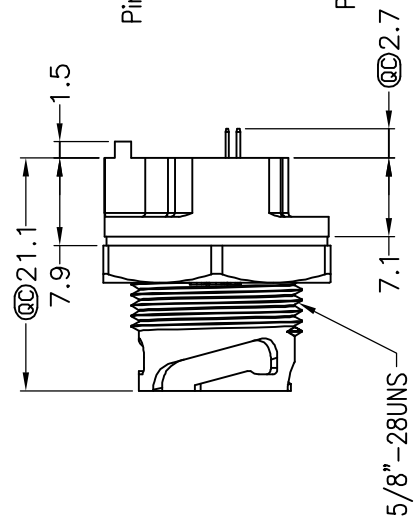
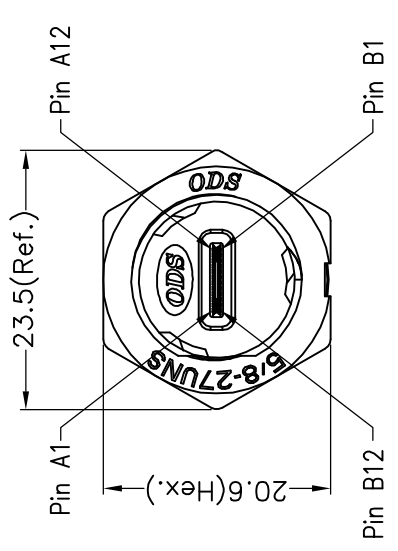


REV. A	ECN NO.	DATE 2020/01/14	SIGN Jack	DESCRIPTION Change Rev 04 To Issue Rev A.
--------	---------	-----------------	-----------	---



Note:

1. Waterproof Rate: IP67
(No Ingress Of Dust/ Protected Against Harmful Effects Caused In 1 Meter Water Within 30 Minutes)
2. Temperature Range: -40°C to +85°C
3. Max. Panel Thickness 4.5mm (Without Cap Chain)
4. Material:
Housing: Nylon, Black
Pin: Copper Alloy, Gold Plated
Screw Nut: Nylon, Black
Gasket: Rubber

TITLE
USB TYPE-C 3.1, STANDARD PANEL

QC check	Reg	Part No. UPBPJ310UC-KCP7001
TOLERANCE	SCALE 1 : 1	DATE 2020/01/14
.X ±0.25	UNIT: mm	CHKD: Amanda
XX ±0.1	SIZE A4	APVD: Reg
XXX ±0.05	SHEET 1 of 1	DATE 2020/01/14
ANGLES ±1°	REV. A	DATE 2020/01/14