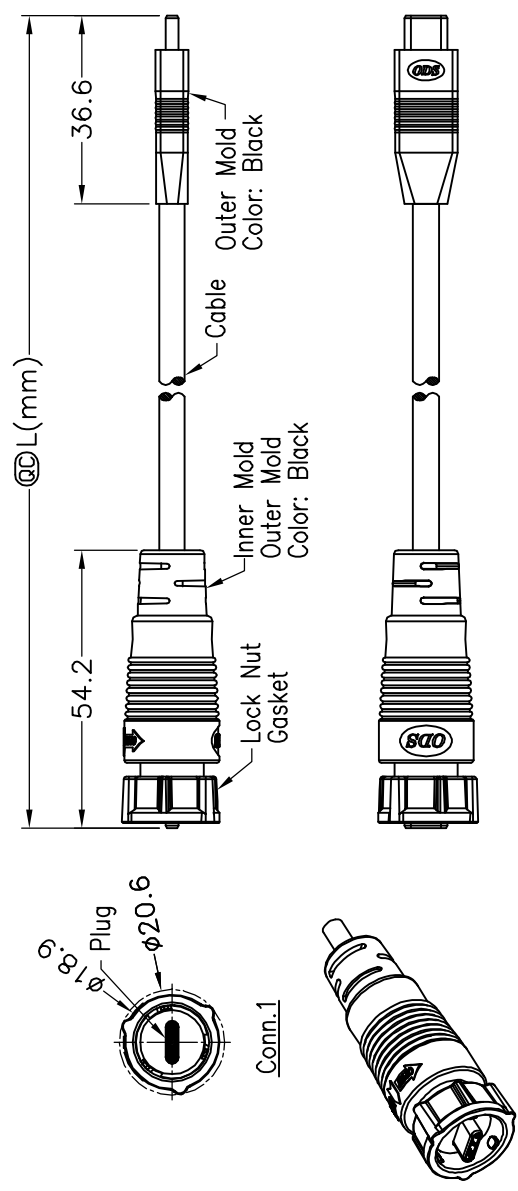


REV	ECN NO.	DATE	SIGN	DESCRIPTION
A		2019/12/02	Jack	Change Rev 03 To Issue Rev A.



- Note:**
1. Waterproof Rate: IP67
(No Ingress Of Dust/ Protected Against Harmful Effects Caused In 1 Meter Water Within 30 Minutes With Mating)
 2. Temperature Range: -20°C to +80°C
 3. Material:
Lock Nut: Nylon, Black
Plug: USB-C 3.1, Stainless Steel
Pin: Copper Alloy, Gold Plated
Gasket: Rubber
 4. Cable:
UL2725 USB3.1 GEN2
(7/0.1TA*1PR+EAM)*4+7/0.1TA*1PR+7/0.08TA*4C+7/0.2TA*2C+AB
PVC Jacket, UV Resistant, Black, OD=ø5.0mm
 5. Part No.: UPBAP310UC-KLD7EXX
 6. Cable Length Tolerance: L-01: L=1M
L±10%mm<50cm
50cm≤L±40mm<1M
1M≤L±5%≤5M

Shield	Braid	編織	Shield
A1,B12,B1,A12	Drain	地線	A1,B12,B1,A12
A4,B9,B4,A9	Red	紅	A4,B9,B4,A9
B5	Yellow	黃	B5(E-Mark IC)
A5	Green	綠	A5
A6	White	白	A6
A7	Green	綠	A7
A11	Black	黑	B2
A10	White	白	B3
A3	White	白	B10
A2	Black	黑	B11
B11	Black	黑	A2
B10	White	白	A3
B3	White	白	A10
B2	Black	黑	A11
B8	Red	紅	A8
A8	Blue	藍	B8
Conn.1	Wire Color		Conn.2
Conn.1	Pin Out		Conn.2

TITLE		USB-C 3.1, STANDARD CABLE, F CONN. PLUG, 3P LOCK	
QC check	Reg	Part No.	UPBAP310UC-KLD7EXX
SCALE	1 : 1	DWN.	Jack
UNIT:	mm	CHKD.	Amanda
SHEET	1 of 1	REV.	A
		DATE	2019/12/02
		DATE	2019/12/02
		DATE	2019/12/02