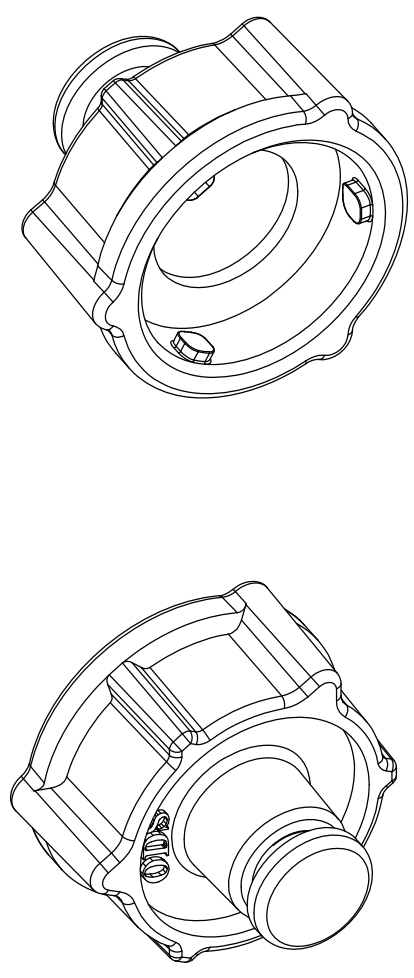
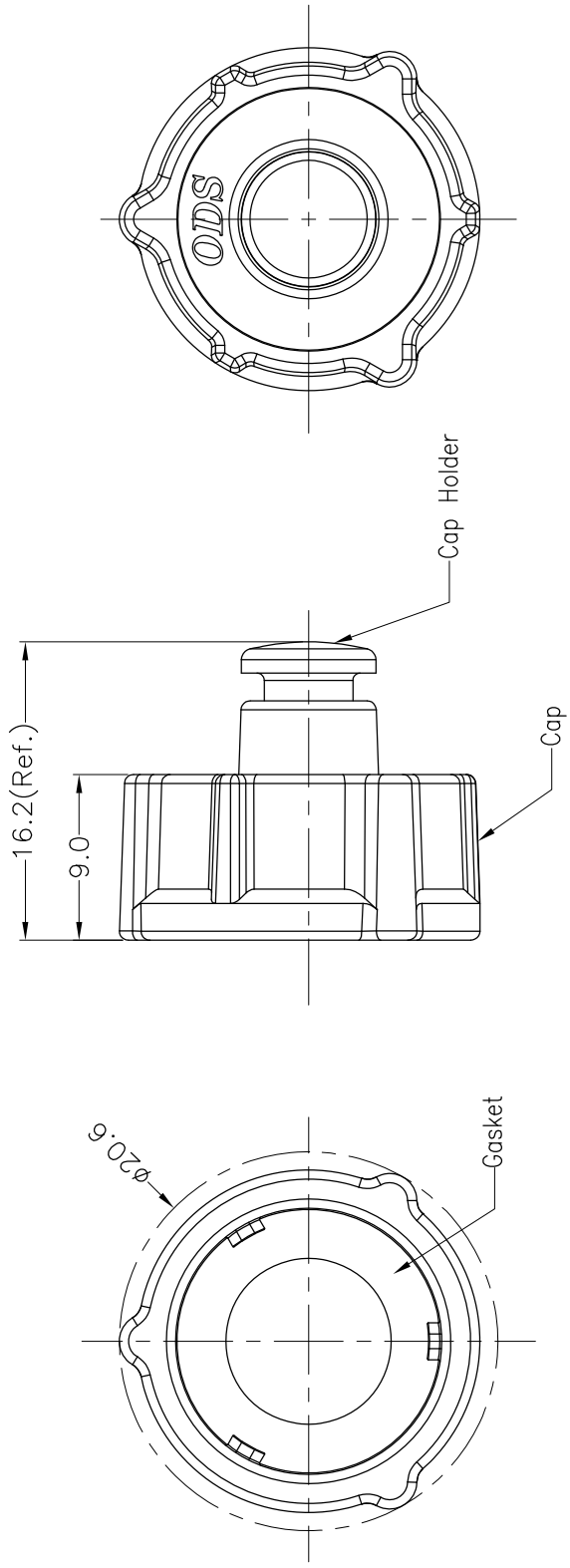


REV.	ECN NO.	DATE	SIGN	DESCRIPTION
A		2019/10/02	Jack	Change Rev 02 To Issue Rev A.



**Note:**

1. Waterproof Rate: According To The Rate Of Mating Connector, Highest Waterproof Rate IP67  
(No Ingress Of Dust/ Protected Against Harmful Effects Caused In 1 Meter Water Within 30 Minutes)
2. Temperature Range: -40°C to +105°C
3. Material:  
Cap: Nylon, Black  
Cap Holder: Nylon, Black  
Gasket: Rubber

TITLE USB-C, STANDARD, CAP

QC	QC check	Reg	Reg	Part No.	CPBPPMCKN72
TOLERANCE	±0.25	SCALE	1 : 1	DWN.	Jack
X	±0.1	SIZE	A4	CHKD.	Amanda
.XX	±0.05	UNIT:	mm	APVD.	Reg
.XXX	±1°	SHEET	1 of 1	DATE	2019/10/02
ANGLES		REV.	A	DATE	2019/10/02