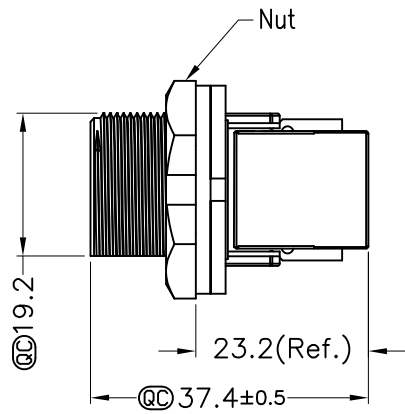
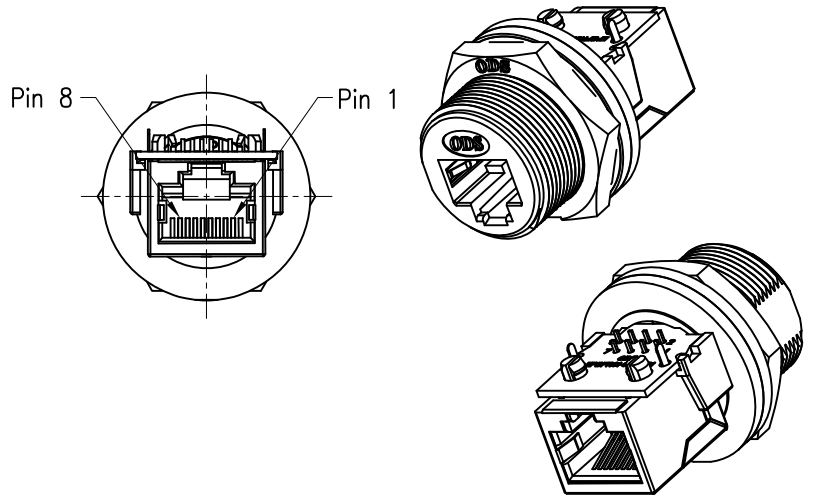
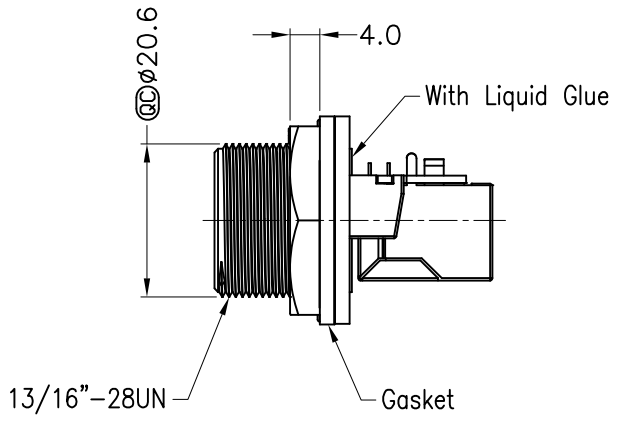
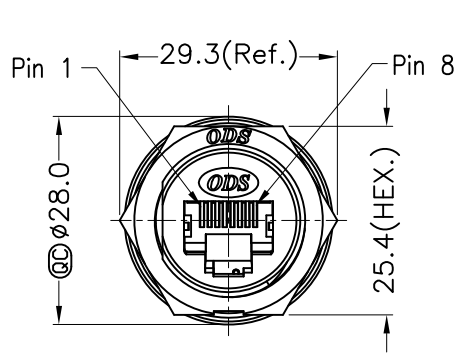
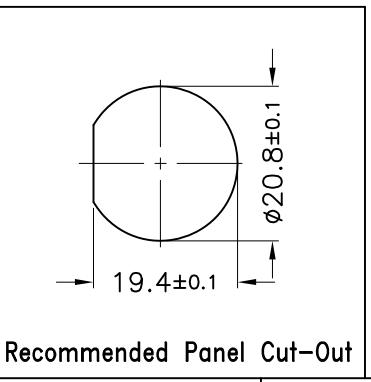


REV.	DATE	SIGN	DESCRIPTION



- Note:**
- Waterproof Rate: IP68  
(No ingress of dust/ Protected against harmful effects caused in 1 meter water within 24 Hour)
  - Temperature Range: -40°C to +105°C
  - Max. Panel Thickness 4.0mm (Without Cap Chain)
  - Material:  
Housing: Nylon, Black  
Pin: Copper Alloy, Gold Plated  
PCB: FR-4 COPPER, 2A



<b>ODS</b>		株式会社 <b>アライドコントロール</b>	
TITLE RJ,MIDDLE,PANEL MJ			
@C : QC check		CpK : CpK check	
PART NO. RPCPJ08GPE-SCJ8003		SCALE 1 : 1	
TOLERANCE	UNIT: mm	SIZE A4	DWN. Betty
.X ±0.25	SHEET 1 of 1	REV. 01	DATE 2012/08/04
.XX ±0.1			CHKD. Andy
.XXX ±0.05	APVD. Reg	DATE 2012/08/04	DATE 2012/08/04
ANGLES ±1°	DATE 2012/08/04		