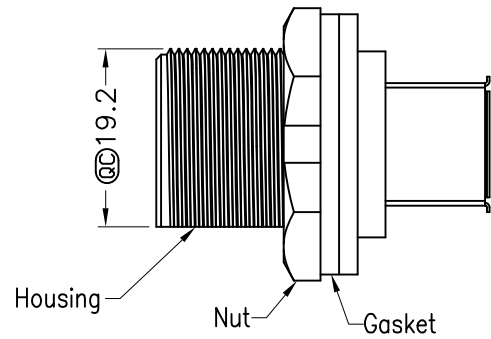
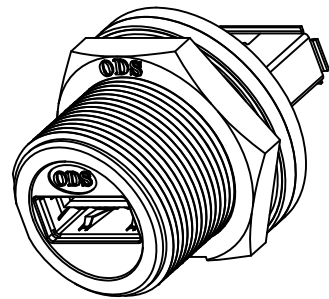
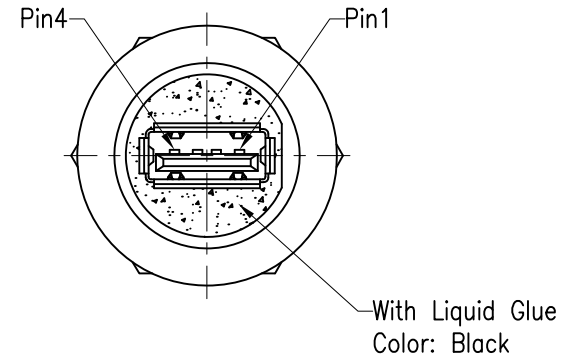
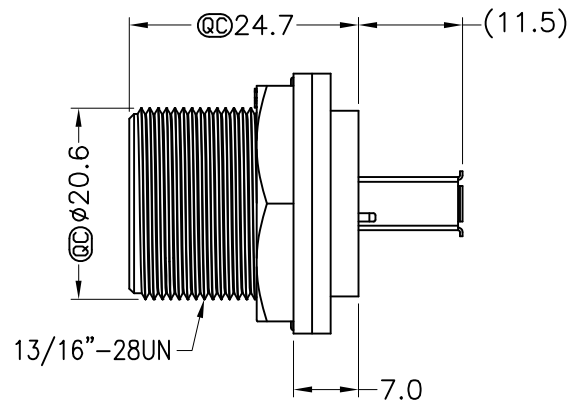
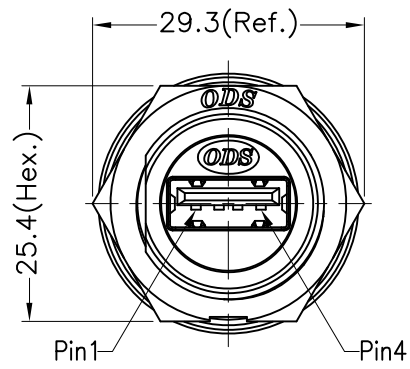
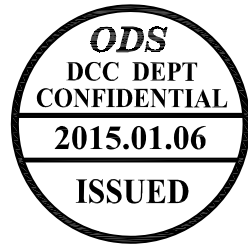
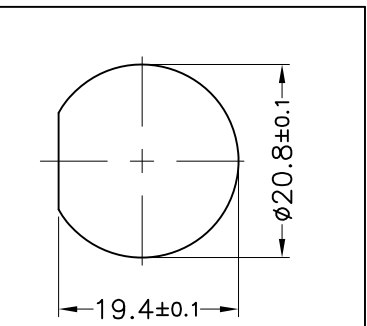


REV. A	ECN NO.	DATE 2014/12/29	SIGN Anna	DESCRIPTION Change Rev 01 To Issue Rev A



Note:

1. Waterproof Rate: IP67
(No Ingress Of Dust/ Protected Against Harmful Effects Caused In 1 Meter Water Within 30 Minutes)
2. Temperature Range: -40°C to +85°C
3. Max. Panel Thickness 7.0mm (Without Cap Chain)
4. Material:
Housing: Nylon, Black
Pin: Copper Alloy, Gold Plated



ODS		株式会社 アライドコントロール	
TITLE USB A-A 2.0,MIDDLE PANEL			
@C : QC check		CpK : CpK check	PART NO. UPCPJ200UA-SCJ7001
TOLERANCE	SCALE 1 : 1	DWN. Anna	DATE 2014/12/29
.X ±0.25	UNIT: mm	CHKD. Chan	DATE 2014/12/29
.XX ±0.1	SIZE A4	APVD. Nilson	DATE 2014/12/29
.XXX ±0.05	SHEET 1 of 1	REV. A	DATE 2014/12/29
ANGLES ±1°			