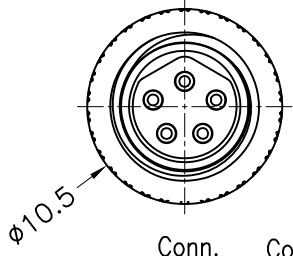
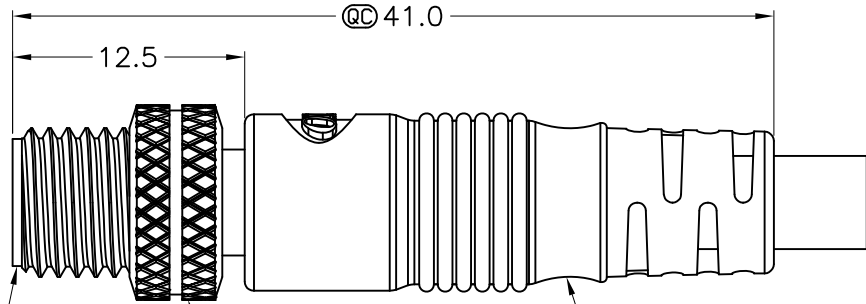
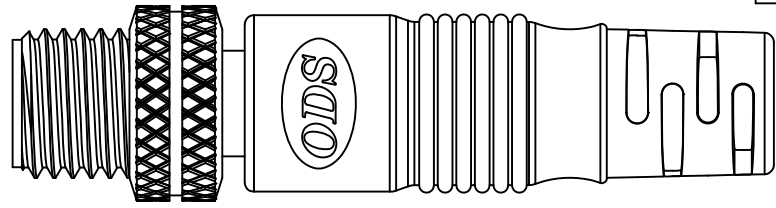


FAE Dept.  
2014.04.25  
Andy

**ODS**  
CONFIDENTIAL  
2014.04.25  
R&D DEPT.

REV.	ECN NO.	DATE	SIGN	DESCRIPTION



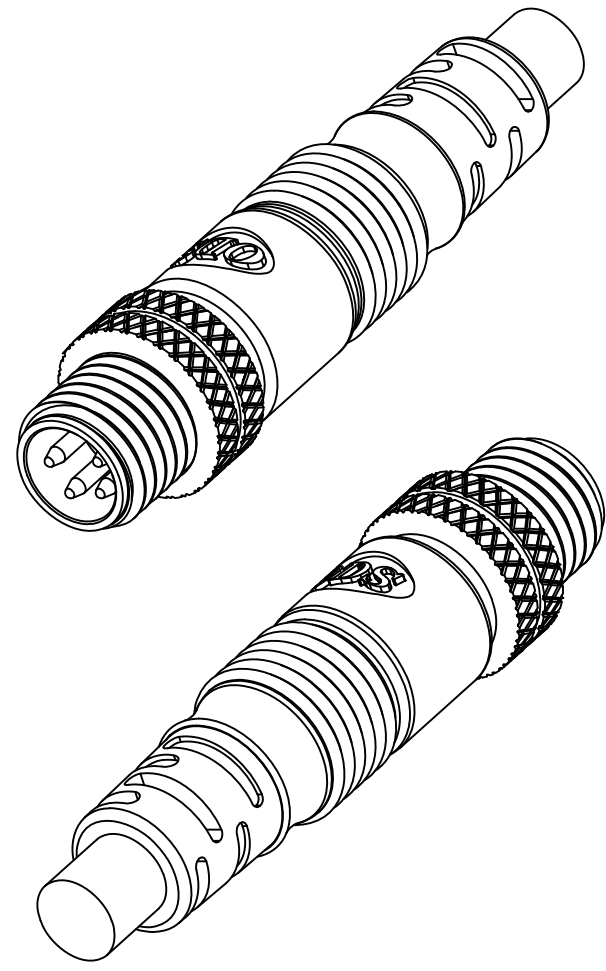
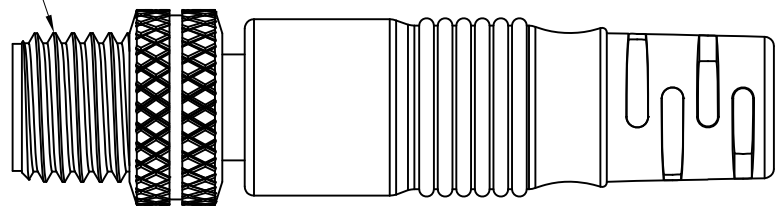
Conn.

Connector

Screw Nut

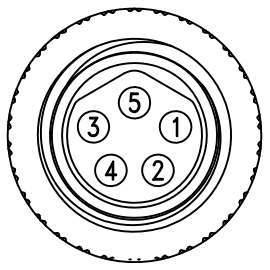
Outer Mold Color: Black

M8\*1.0



**Note:**

- Waterproof Rate: IP67  
(No Ingress Of Dust/ Protected Against Harmful Effects Caused in 1 Meter Water Within 30 Minutes)
- Temperature Range: -20°C to +80°C
- Current Rating: 5A
- Material:  
Housing: PU, Black  
Pin: Copper Alloy, Gold Plated
- Cable OD Max.: 5.0mm



Pin Assignments Front View

<b>ODS</b>		株式会社 <b>アライドコントロール</b>	
TITLE SENSOR,M8,CABLE MM,B-CODE			
@C : QC check		CpK : CpK check	PART NO. MAEAM05MCC-SLC7000
TOLERANCE	±0.50	SCALE 1 : 1	DWN. Angel
UNIT: mm	SIZE A4	CHKD. Enson	DATE 2014/04/25
SHEET 1 of 1	REV. 01	APVD. Andy	DATE 2014/04/25