

Bocube Alu



Detailed product information can be found on www.bopla.de



- 9 sizes
- Modern design, corresponding to the Bocube plastic enclosure
- All enclosure components made of metal
- All versions are listed under UL file no. 196 706
- Captive lid with smooth surface or recessed membrane keypad area
- Hinge integrated in the enclosure design
- Also available screwed on both sides (without hinge)
- No visible enclosure screws
- Prepared for cost-efficient integration of pressure compensation elements
- Mounting space for rectangular panels and PCBs
- Terminals and mounting on request

Colour:

Graphite grey, similar to RAL 7024; light grey, similar to RAL 7035; special colours on request

Protection class:

IP 66 / IP 68 – 1.2m (2 hrs.) / IP 69 DIN EN 60529
Impact protection IK 08 acc. to IEC 62262 (max. IP 66 / IP 68)
Impact protection IK 07 acc. to IEC 62262 (IP 69)

Enclosure material:

Enclosure: GD Al Si 12, seal PU foamed;
Hinges / covers: Al Mg Si 0.5 powder-coated / natural-coloured anodised
The materials correspond to requirements set R1 or R7 acc. to DIN EN 45545-2 of hazard level HL3.

A new design and innovative features protect sensitive components even in challenging environments



With its modern design, Bocube Alu sets new design trends in the diecast enclosure sector.



The hinge ensures that the lid is captive. Depending on the mounting, it can be opened to the left or right, as required.



Coloured hinges are available on request.



The enclosure screws are concealed under design covers and are captive, like the lid screws.



The enclosure lids are available optionally with (2 mm) or without a recessed surface for fitting HMI solutions.



The base has a moulded-on insertion opening for a pressure compensation membrane which can be factory-activated.



A seawater-resistant version (SWB) or a special EMC version is available on request. Additional information can be found in the "Technical Information" chapter.



All enclosure components are metal and captive-connected with the enclosure.



1: As an option, the enclosure can be screwed on both sides (without hinge)
2: Wall brackets are also available as an option

Bocube Alu | Enclosures, light grey



Enclosure with membrane lid, light grey, hinged

Model	Order no.	A	B	C	a1	a2	b1	b2	c1
BA 100806 F-7035	00122125	121	86	60	75,5	77,5	72,5	77,5	51,5
BA 140806 F-7035	00123125	159	86	60	113,5	115,5	72,5	77,5	51,5
BA 141306 F-7035	00123225*	159	128	60	113,5	114,5	114,5	118,5	51,5
BA 141309 F-7035	00123235	159	128	90	113,5	114,5	114,5	118,5	81,5
BA 180806 F-7035	00124125	199	86	60	153,5	155,5	72,5	77,5	51,5
BA 241306 F-7035	00125225	259	128	60	213,5	215,5	114,5	119,5	51,5
BA 241309 F-7035	00125235	259	128	90	213,5	214,5	114,5	118,5	81,5
BA 281706 F-7035	00126325	299	173	60	253,5	255,5	159,5	164,5	51,5
BA 281709 F-7035	00126335	299	173	90	253,5	254,5	159,5	163,5	81,5

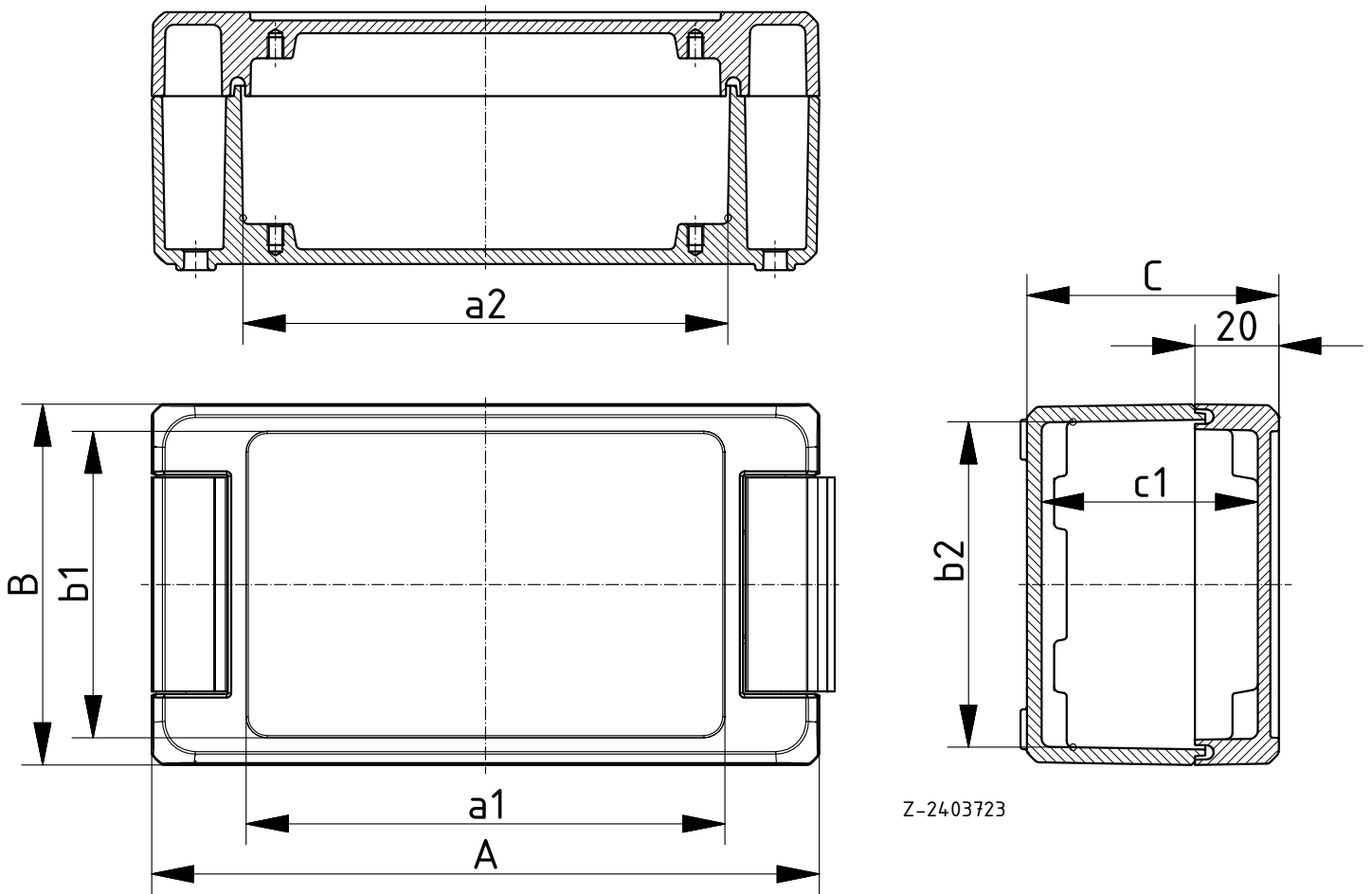
Scope of delivery: enclosure incl. hinge and fixing material



Enclosure with smooth lid, light grey, hinged

Model	Order no.	A	B	C	a1	a2	b1	b2	c1
BA 100806-7035	00112125	121	86	60	-	77,5	-	77,5	53,5
BA 140806-7035	00113125	159	86	60	-	115,5	-	77,5	53,5
BA 141306-7035	00113225*	159	128	60	-	114,5	-	118,5	53,5
BA 141309-7035	00113235	159	128	90	-	114,5	-	118,5	83,5
BA 180806-7035	00114125	199	86	60	-	155,5	-	77,5	53,5
BA 241306-7035	00115225	259	128	60	-	215,5	-	119,5	53,5
BA 241309-7035	00115235	259	128	90	-	214,5	-	118,5	83,5
BA 281706-7035	00116325	299	173	60	-	255,5	-	164,5	53,5
BA 281709-7035	00116335	299	173	90	-	254,5	-	163,5	83,5

Scope of delivery: enclosure incl. hinge and fixing material



Z-2403723

Bocube Alu | Enclosures, light grey



Enclosure with membrane lid, light grey, hinged, with silicone lid seal

Model	Order no.	A	B	C	a1	a2	b1	b2	c1
BA 100806 F SIL-7035	00122125.SIL*	121	86	60	75,5	77,5	72,5	77,5	51,5
BA 140806 F SIL-7035	00123125.SIL*	159	86	60	113,5	115,5	72,5	77,5	51,5
BA 141306 F SIL-7035	00123225.SIL*	159	128	60	113,5	114,5	114,5	118,5	51,5
BA 141309 F SIL-7035	00123235.SIL*	159	128	90	113,5	114,5	114,5	118,5	81,5
BA 180806 F SIL-7035	00124125.SIL*	199	86	60	153,5	155,5	72,5	77,5	51,5
BA 241306 F SIL-7035	00125225.SIL*	259	128	60	213,5	215,5	114,5	119,5	51,5
BA 241309 F SIL-7035	00125235.SIL*	259	128	90	213,5	214,5	114,5	118,5	81,5
BA 281706 F SIL-7035	00126325.SIL*	299	173	60	253,5	255,5	159,5	164,5	51,5
BA 281709 F SIL-7035	00126335.SIL*	299	173	90	253,5	254,5	159,5	163,5	81,5

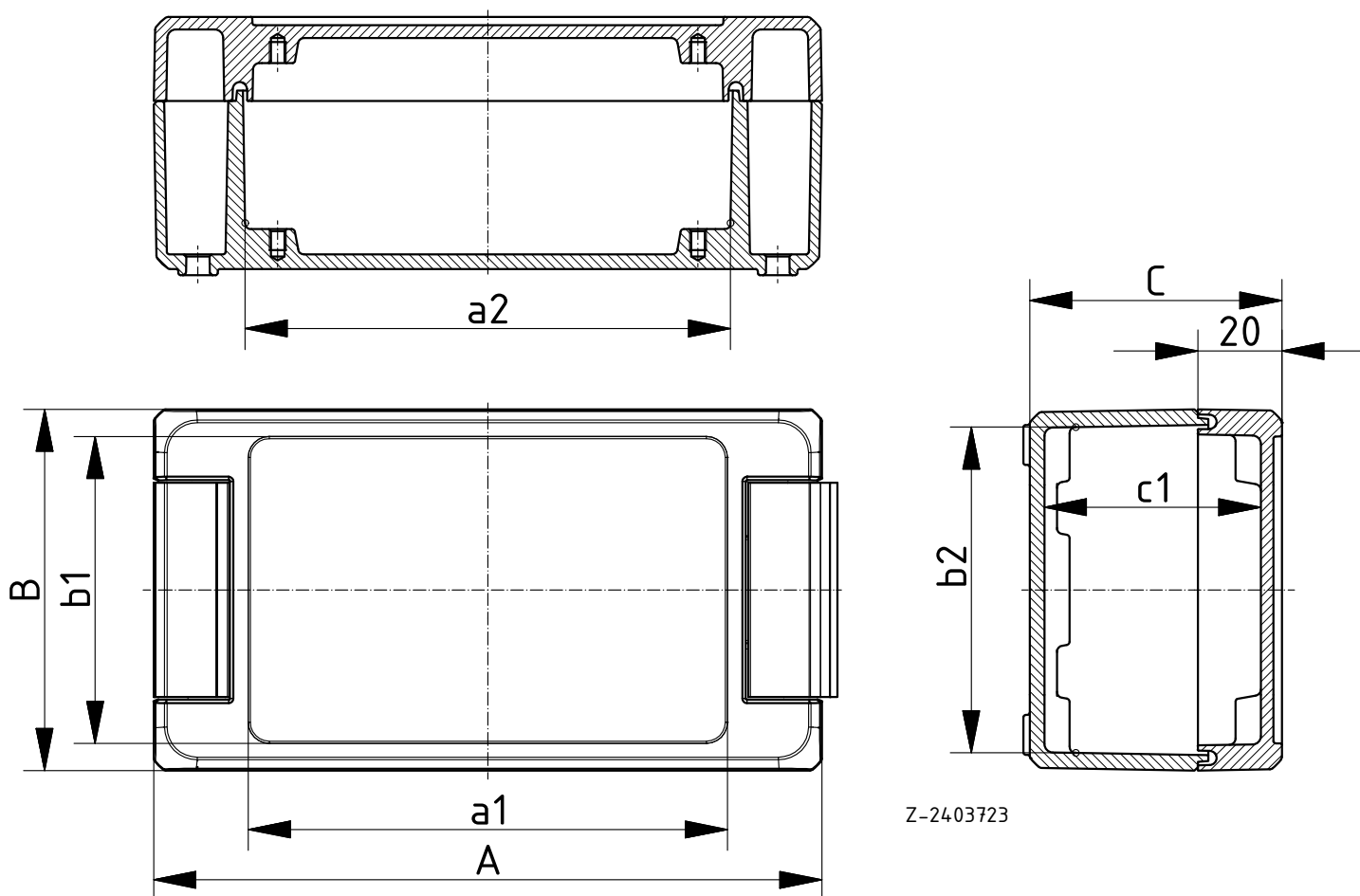
Scope of delivery: enclosure incl. hinge and fixing material



Enclosure with smooth lid, light grey, hinged, with silicone lid seal

Model	Order no.	A	B	C	a1	a2	b1	b2	c1
BA 100806 SIL-7035	00112125.SIL*	121	86	60	-	77,5	-	77,5	53,5
BA 140806 SIL-7035	00113125.SIL*	159	86	60	-	115,5	-	77,5	53,5
BA 141306 SIL-7035	00113225.SIL*	159	128	60	-	114,5	-	118,5	53,5
BA 141309 SIL-7035	00113235.SIL*	159	128	90	-	114,5	-	118,5	83,5
BA 180806 SIL-7035	00114125.SIL*	199	86	60	-	155,5	-	77,5	53,5
BA 241306 SIL-7035	00115225.SIL*	259	128	60	-	215,5	-	119,5	53,5
BA 241309 SIL-7035	00115235.SIL*	259	128	90	-	214,5	-	118,5	83,5
BA 281706 SIL-7035	00116325.SIL*	299	173	60	-	255,5	-	164,5	53,5
BA 281709 SIL-7035	00116335.SIL*	299	173	90	-	254,5	-	163,5	83,5

Scope of delivery: enclosure incl. hinge and fixing material



Bocube Alu | Enclosures, graphite grey



Enclosure with membrane lid, graphite grey, covers anodised, hinged

Model	Order no.	A	B	C	a1	a2	b1	b2	c1
BA 100806 F-7024	00122124	121	86	60	75,5	77,5	72,5	77,5	51,5
BA 140806 F-7024	00123124	159	86	60	113,5	115,5	72,5	77,5	51,5
BA 141306 F-7024	00123224*	159	128	60	113,5	114,5	114,5	118,5	51,5
BA 141309 F-7024	00123234	159	128	90	113,5	114,5	114,5	118,5	81,5
BA 180806 F-7024	00124124	199	86	60	153,5	155,5	72,5	77,5	51,5
BA 241306 F-7024	00125224	259	128	60	213,5	215,5	114,5	119,5	51,5
BA 241309 F-7024	00125234	259	128	90	213,5	214,5	114,5	118,5	81,5
BA 281706 F-7024	00126324	299	173	60	253,5	255,5	159,5	164,5	51,5
BA 281709 F-7024	00126334	299	173	90	253,5	254,5	159,5	163,5	81,5

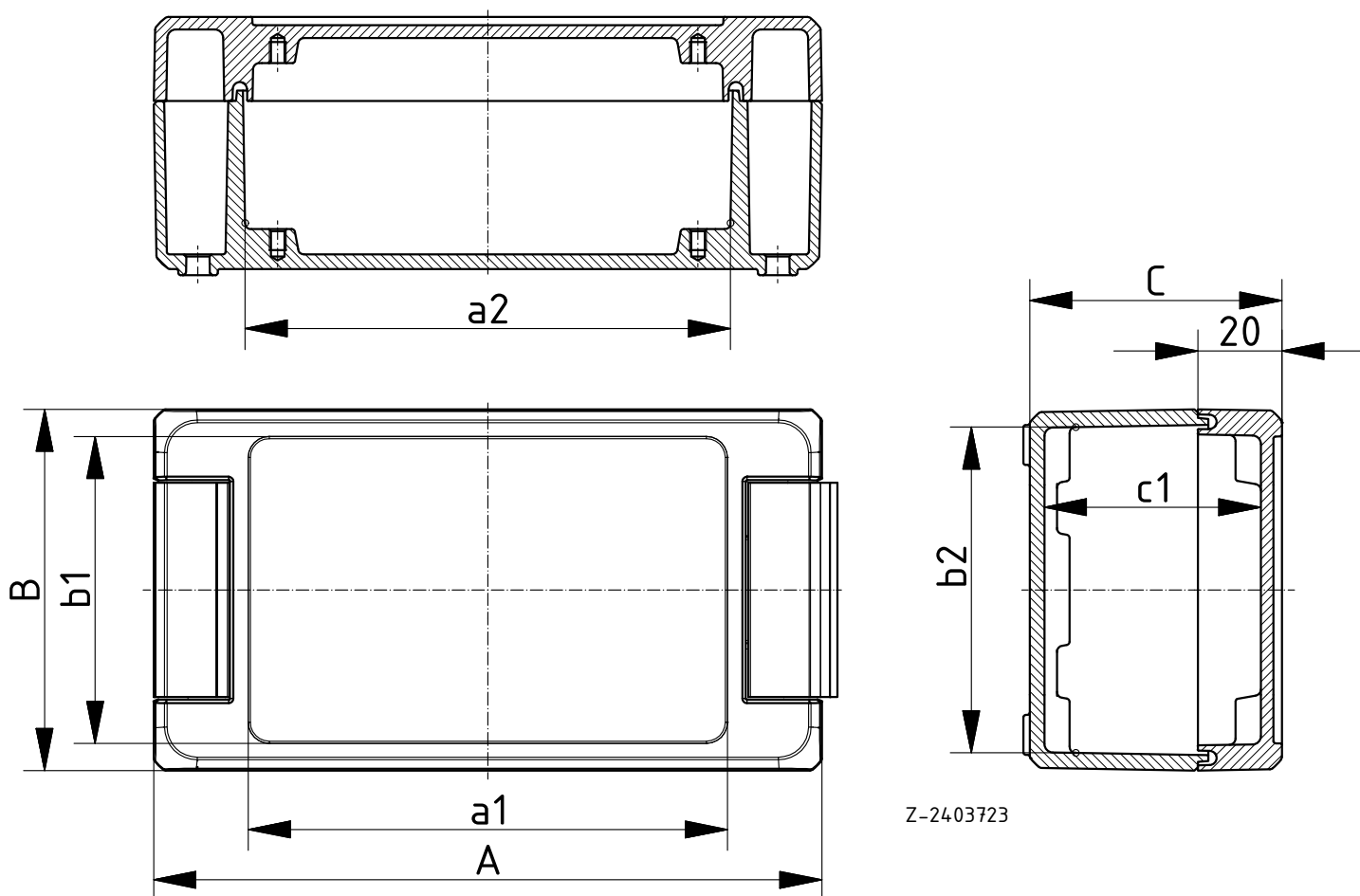
Scope of delivery: enclosure incl. hinge and fixing material



Enclosure with smooth lid, graphite grey, covers anodised, hinged

Model	Order no.	A	B	C	a1	a2	b1	b2	c1
BA 100806-7024	00112124	121	86	60	-	77,5	-	77,5	53,5
BA 140806-7024	00113124	159	86	60	-	115,5	-	77,5	53,5
BA 141306-7024	00113224*	159	128	60	-	114,5	-	118,5	53,5
BA 141309-7024	00113234	159	128	90	-	114,5	-	118,5	83,5
BA 180806-7024	00114124	199	86	60	-	155,5	-	77,5	53,5
BA 241306-7024	00115224	259	128	60	-	215,5	-	119,5	53,5
BA 241309-7024	00115234	259	128	90	-	214,5	-	118,5	83,5
BA 281706-7024	00116324	299	173	60	-	255,5	-	164,5	53,5
BA 281709-7024	00116334	299	173	90	-	254,5	-	163,5	83,5

Scope of delivery: enclosure incl. hinge and fixing material



Z-2403723

Bocube Alu | Enclosures, graphite grey



Enclosure with membrane lid, graphite grey, covers anodised, hinged, with silicone lid seal

Model	Order no.	A	B	C	a1	a2	b1	b2	c1
BA 100806 F SIL-7024	00122124.SIL*	121	86	60	75,5	77,5	72,5	77,5	51,5
BA 140806 F SIL-7024	00123124.SIL*	159	86	60	113,5	115,5	72,5	77,5	51,5
BA 141306 F SIL-7024	00123224.SIL*	159	128	60	113,5	114,5	114,5	118,5	51,5
BA 141309 F SIL-7024	00123234.SIL*	159	128	90	113,5	114,5	114,5	118,5	81,5
BA 180806 F SIL-7024	00124124.SIL*	199	86	60	153,5	155,5	72,5	77,5	51,5
BA 241306 F SIL-7024	00125224.SIL*	259	128	60	213,5	215,5	114,5	119,5	51,5
BA 241309 F SIL-7024	00125234.SIL*	259	128	90	213,5	214,5	114,5	118,5	81,5
BA 281706 F SIL-7024	00126324.SIL*	299	173	60	253,5	255,5	159,5	164,5	51,5
BA 281709 F SIL-7024	00126334.SIL*	299	173	90	253,5	254,5	159,5	163,5	81,5

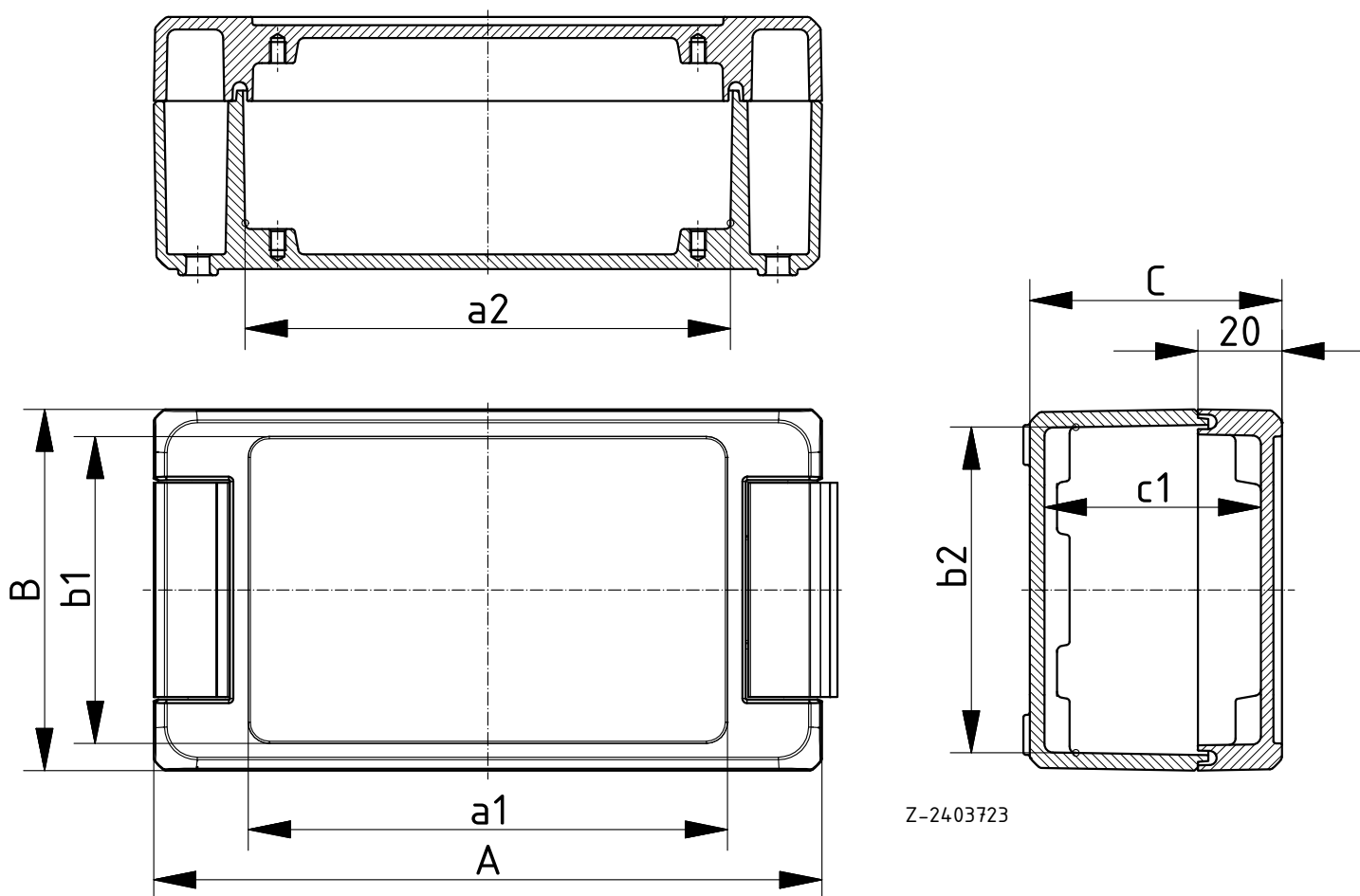
Scope of delivery: enclosure incl. hinge and fixing material



Enclosure with smooth lid, graphite grey, covers anodised, hinged, with silicone lid seal

Model	Order no.	A	B	C	a1	a2	b1	b2	c1
BA 100806 SIL-7024	00112124.SIL*	121	86	60	-	77,5	-	77,5	53,5
BA 140806 SIL-7024	00113124.SIL*	159	86	60	-	115,5	-	77,5	53,5
BA 141306 SIL-7024	00113224.SIL*	159	128	60	-	114,5	-	118,5	53,5
BA 141309 SIL-7024	00113234.SIL*	159	128	90	-	114,5	-	118,5	83,5
BA 180806 SIL-7024	00114124.SIL*	199	86	60	-	155,5	-	77,5	53,5
BA 241306 SIL-7024	00115224.SIL*	259	128	60	-	215,5	-	119,5	53,5
BA 241309 SIL-7024	00115234.SIL*	259	128	90	-	214,5	-	118,5	83,5
BA 281706 SIL-7024	00116324.SIL*	299	173	60	-	255,5	-	164,5	53,5
BA 281709 SIL-7024	00116334.SIL*	299	173	90	-	254,5	-	163,5	83,5

Scope of delivery: enclosure incl. hinge and fixing material



Bocube Alu | Accessories



Wall brackets

Model	Order no.	Note
BA WL 08 - 7035	00500105	For BA ..08..
BA WL 08 - 7024	00500104	For BA ..08..
BA WL 13 - 7035	00500205	For BA ..13..
BA WL 13 - 7024	00500204	For BA ..13..
BA WL 17 - 7035	00500305	For ..17..
BA WL 17 - 7024	00500304	For ..17..

Scope of delivery: 2 wall brackets, 4 screws

Note: In preparation, details when available at www.bopla.de



Quick-release fastener

Model	Order no.	Colour	Note
BA 08 SV-7035	00430105	RAL 7035	For BA ..08..
BA 13 SV-7035	00430205	RAL 7035	For BA ..13..
BA 17 SV-7035	00430305	RAL 7035	For ..17..
BA 08 SV-C-0	00430109	anodized	For BA ..08..
BA 13 SV-C-0	00430209	anodized	For BA ..13..
BA 17 SV-C-0	00430309	anodized	For ..17..

Scope of delivery: Quick-release fastener

Note: IP ingress protection (max. IP 66 / IP 67) is only guaranteed when the quick-release fastener is closed! This replaces the screw and cover method of closure.

Impact resistance IK 07 acc. to IEC 62262 (max. IP66 / IP67)

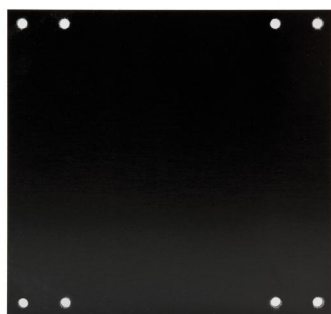


Pressure compensation membrane DAE

Model	Order no.	Note
DAE-D11	52011000	Self-adhesive membrane ø 11 mm

Scope of delivery: 5 pieces

Note: Processing of the enclosure and mounting on request.



Mounting panels, laminated paper, 2 mm

Model	Order no.	Note
BA MH 1008	00602100	For BA 1008..
BA MH 1408	00603100	For BA 1408..
BA MH 1413	00603200	For BA 1413..
BA MH 1808	00604100	For BA 1808..
BA MH 2413	00605200	For BA 2413..
BA MH 2817	00606300	For BA 2817..

Scope of delivery: 1 mounting panel

Note: Please order fixing screws order no. 59005049 separately.

Mounting plates in galvanised sheet metal on request.

Bocube Alu | Accessories

DIN rails DIN EN 60715 TH 15, galvanised steel

Model	Order no.	Note
TS 15	22150702	For BA 1008..
TS 15	22151102	For BA 1408.., BA 1413..
TS 15	22151502	For BA 1808..
TS 15	22151902	For BA 2413..
TS 15	22152302	For BA 2817..

Scope of delivery: 1 DIN rail



DIN rails DIN EN 60715 G 32, galvanised steel

Model	Order no.	Note
TS 32	22320702	For BA 1008..
TS 32	22321102	For BA 1408.., BA 1413..
TS 32	22321502	For BA 1808..
TS 32	22321902	For BA 2413..
TS 32	22322302	For BA 2817..

Scope of delivery: 1 DIN rail



DIN rails DIN EN 60715 TH 35, galvanised steel

Model	Order no.	Note
TS 35	22350702	For BA 1008..
TS 35	22351102	For BA 1408.., BA 1413..
TS 35	22351502	For BA 1808..
TS 35	22351902	For BA 2413..
TS 35	22352302	For BA 2817..

Scope of delivery: 1 DIN rail

