

# BoLink



Detailed product information can be found on [www.bopla.de](http://www.bopla.de)



- 1 basic size
- 3 heights
- 2 colours
- 3 variants (without wall brackets, with wall brackets, with wall brackets and lid fixing on top)
- Design seal optional

**Colour:**

Black, similar to RAL 9005;  
White, similar to RAL 9003;  
Special colours on request

**Protection class:**

IP 40; with seal: IP 65 DIN EN 60529

**Enclosure material:**

Enclosure: PC UL 94 V0

Seal: TPE

For details see technical information

# The intelligent and versatile enclosure system for modern IoT sensor technology



Without wall brackets



With wall brackets (WL);  
Screws on the back



With wall brackets (WL DO);  
Screwing system from the front



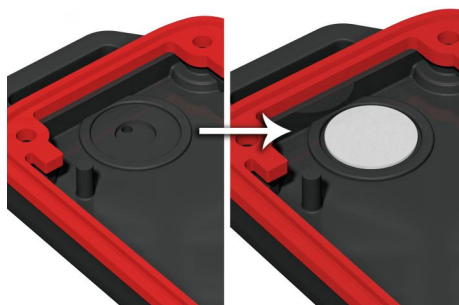
Ingress protection IP 65 by means of design seal; available in various colours. This increases the electronics mounting height by approx. 1.7mm.



A 1.6 mm thick PCB can be clamped directly between the enclosure parts and optionally hot-caulked via two pins.



Recessed membrane area (0.6 mm) in the lid and base; interfaces can be fitted on four sides.



Pressure compensation by mounting the DAE-D11 pressure compensation membrane.

For this purpose, drill (or punch) a hole in the moulded contour from the inside and glue the membrane in position.

## BoLink | Enclosures

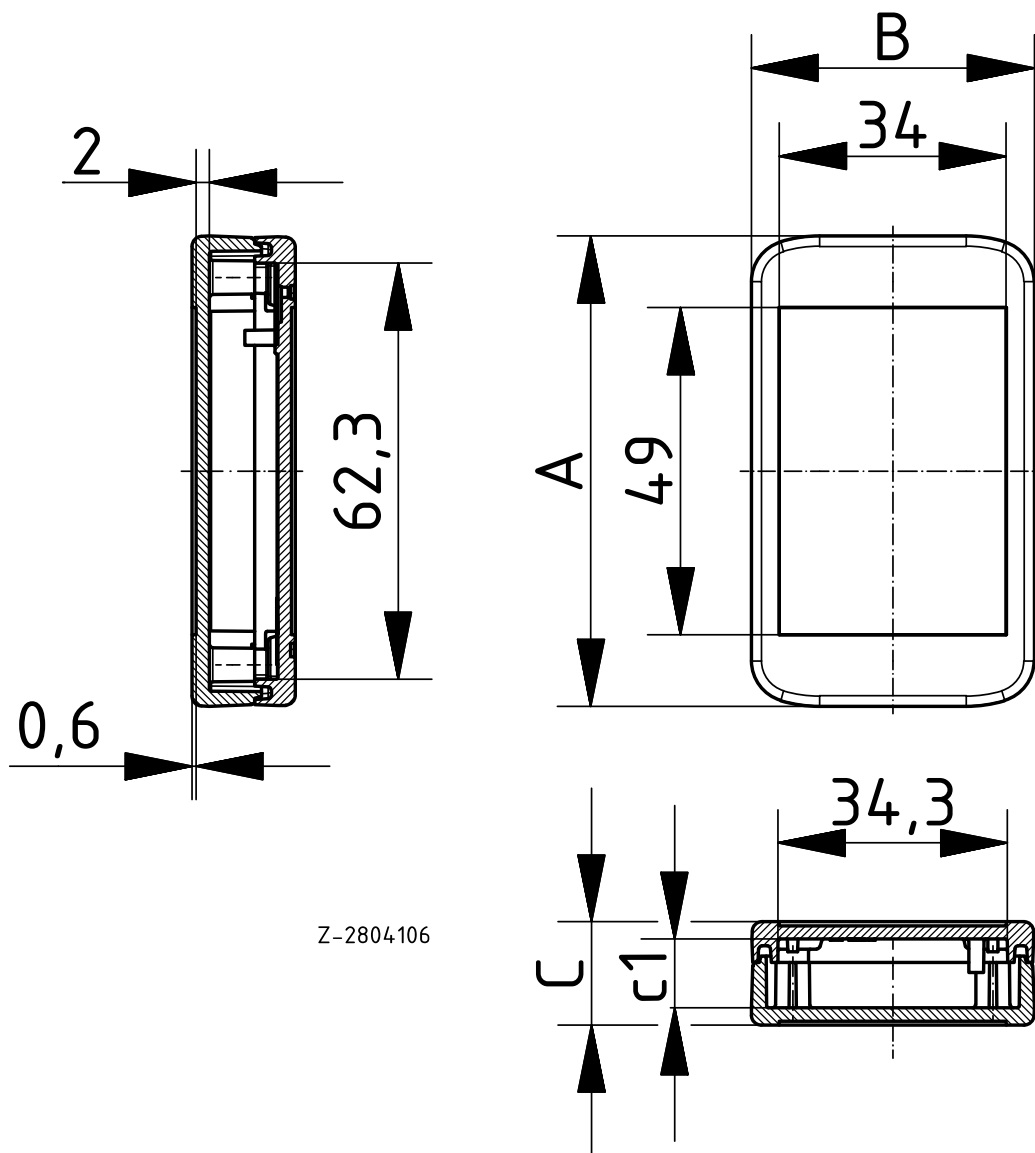


### Enclosure, IP40 (IP65)

Model	Order no.	A	B	C	c1	Colour
BL 704015-9003	16174303	70,4	42,4	15,5	10,3	White
BL 704015-9005	16174305	70,4	42,4	15,5	10,3	Black
BL 704020-9003	16174403	70,4	42,9	22	16,8	White
BL 704020-9005	16174405	70,9	42,9	22	16,8	Black
BL 704025-9003	16174503	71,2	43,2	26	20,8	White
BL 704025-9005	16174505	71,2	43,2	26	20,8	Black

Scope of delivery: Lid and base, 4 screws

Note: Upgradable to IP 65 with design seal BL\_DI.



Z-2804106

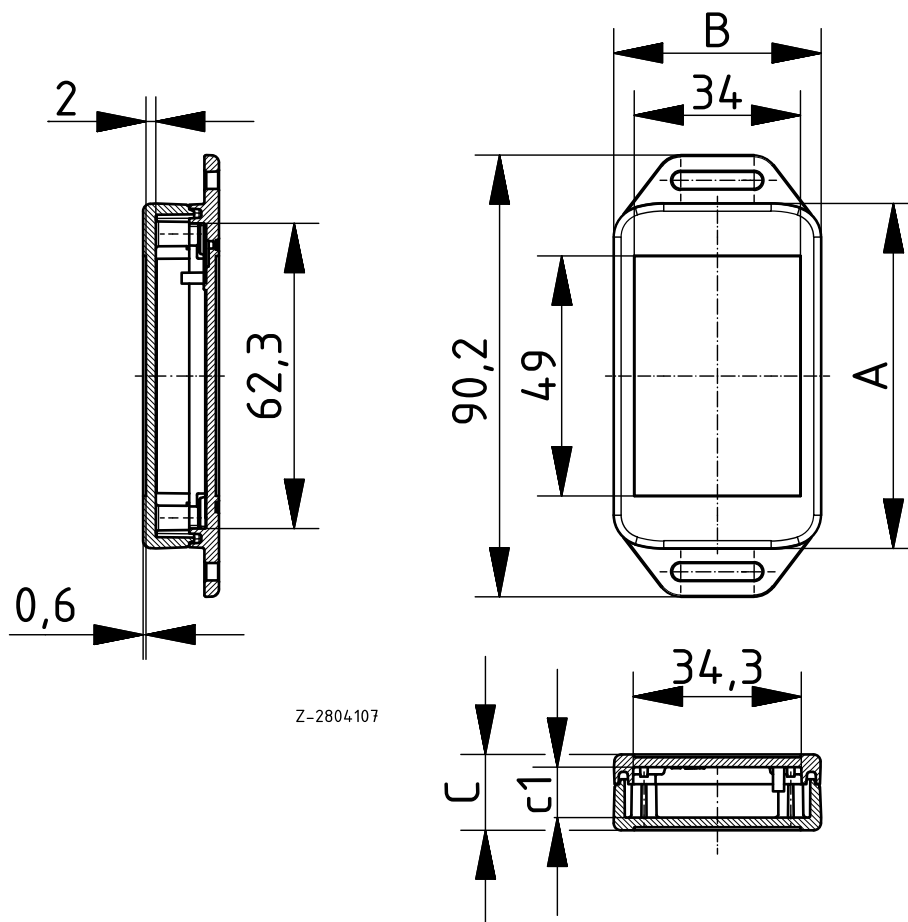
# BoLink | Enclosures

## Enclosure with wall brackets, IP40 (IP65)

Model	Order no.	A	B	C	c1	Colour
BL 704015 WL2-9003	16174333	70,4	42,4	15,5	10,3	White
BL 704015 WL2-9005	16174335	70,4	42,4	15,5	10,3	Black
BL 704020 WL2-9003	16174433	70,4	42,9	22	16,8	White
BL 704020 WL2-9005	16174435	70,9	42,9	22	16,8	Black
BL 704025 WL2-9003	16174533	71,2	43,2	26	20,8	White
BL 704025 WL2-9005	16174535	71,2	43,2	26	20,8	Black

Scope of delivery: Lid and base, 4 screws

Note: Upgradable to IP 65 with design seal BL\_DI.



## BoLink | Enclosures

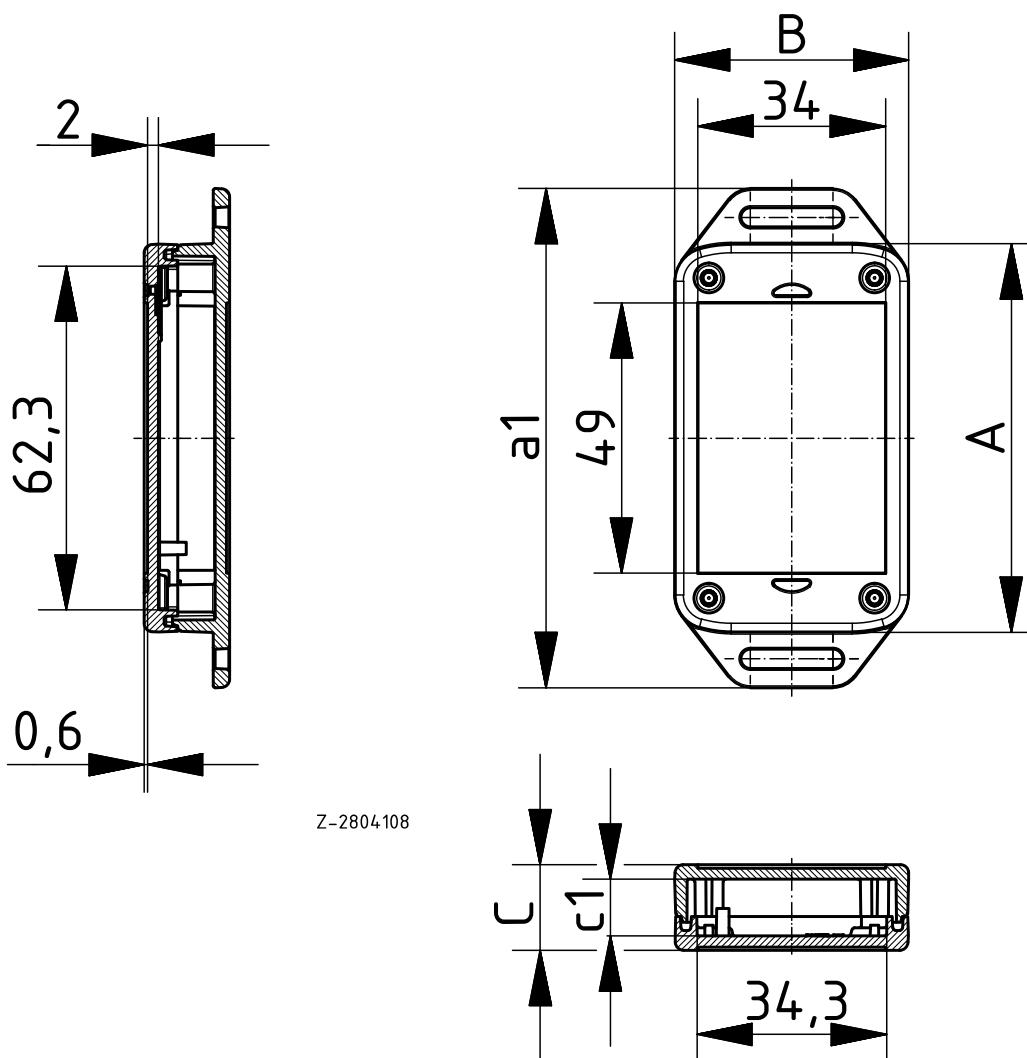


Enclosure with wall brackets and lid fixing on top, IP40 (IP65)

Model	Order no.	A	B	C	a1	c1	Colour
BL 704015 WL2 DO-9003	16174363	70,4	42,4	15,5	90,4	10,3	White
BL 704015 WL2 DO-9005	16174365	70,4	42,4	15,5	90,4	10,3	Black
BL 704020 WL2 DO-9003	16174463	70,8	42,9	22	90,9	16,8	White
BL 704020 WL2 DO-9005	16174465	70,8	42,9	22	90,9	16,8	Black
BL 704025 WL2 DO-9003	16174563	71,1	43,2	26	91,2	20,8	White
BL 704025 WL2 DO-9005	16174565	71,2	43,2	26		20,8	Black

Scope of delivery: Lid and base, 4 screws

Note: Upgradable to IP 65 with design seal BL\_DI.



## BoLink | Accessories

### Designdichtung, IP65

Model	Order no.	Colour
BL 7040 DI-9005	16274005	Black
BL 7040 DI-9003	16274003	White
BL 7040 DI-3001	16274001	Signal red
BL 7040 DI-5005	16274002	Signal blue

Scope of delivery: 5 seals



### Pressure compensation membrane DAE

Model	Order no.	Note
DAE-D11	52011000	Self-adhesive membrane ø 11 mm

Scope of delivery: 5 pieces

