

# Alurail



Detailed product information can be found on [www.bopla.de](http://www.bopla.de)



- 2 basic sizes
- 7 standard lengths
- Special lengths on request
- Variable positioning of the modules
- Can be used as single-PCB enclosure
- Design-matching wall fitting
- Earthing set as accessory

#### **Colour:**

Profile, natural-coloured anodised aluminium;  
profile caps light grey, similar to RAL 7035;  
special colours on request

#### **Protection class:**

Depending on enclosure design, up to IP 40 /  
DIN EN 60529

#### **Enclosure material:**

Extruded profiles: Al Mg Si 0.5, anodised;  
profile caps: polyamide 6.6 FR; for details see  
Technical Information

# Modular DIN rail enclosure – aluminium profile technology



The basic profiles are available in widths 75 mm and 105 mm (suitable for the installation of Euro cards).



Individual enclosure configuration by combining basic profiles with module profiles which can be fitted in different ways.



Easy mounting on a DIN rail acc. to DIN EN 60715 TH 35 by means of a moulded-on holding device and a snap-lock element.



One option for wall mounting is with the wall fixing available as an accessory.



All basic and module profiles have grooves at different heights for fitting PCBs and/or mounting panels.



End profile caps ensure a visually standardised appearance.



Earthing set available as an option.



# Alurail 105/31 | Enclosure profiles

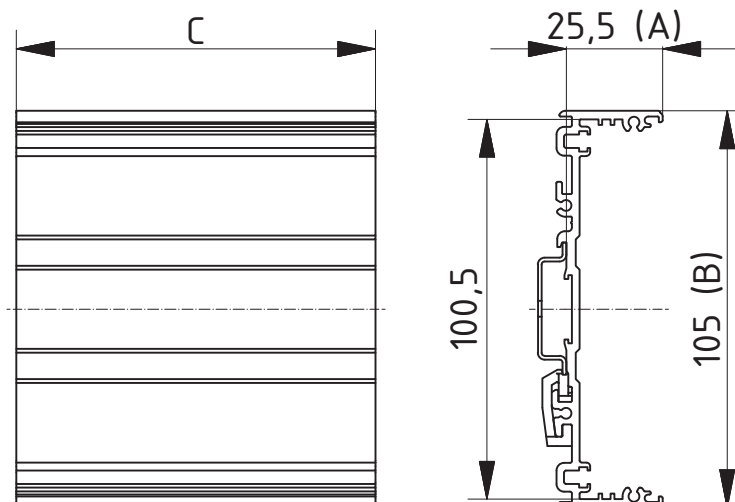
## Basic profiles, one-piece

Model	Order no.	A	B	C
ARP 105/31-52,5	87020525	25,5	105	42,5
ARP 105/31-70	87020700	25,5	105	60
ARP 105/31-105	87021050	25,5	105	95
ARP 105/31-140	87021400	25,5	105	130
ARP 105/31-175	87021750	25,5	105	165
ARP 105/31-210	87022100	25,5	105	200
ARP 105/31-245	87022450	25,5	105	235
ARP 105/31-1000	87020000	25,5	105	990

Scope of delivery: Enclosure profile

Note: C = profile length; special lengths on request.

Front panels and profile caps as accessories.



Z-2603259

For accessories, please see the end of the chapter

# Alurail | Module profiles 45 for mounting on the basic profiles



## Module profile, one-piece

Model	Order no.	A	B	C
ARPM 45/27-35	87100350	28,1	45	25
ARPM 45/27-52,5	87100525	28,1	45	42,5
ARPM 45/27-70	87100700	28,1	45	60
ARPM 45/27-105	87101050	28,1	45	95
ARPM 45/27-140	87101400	28,1	45	130
ARPM 45/27-175	87101750	28,1	45	165
ARPM 45/27-210	87102100	28,1	45	200
ARPM 45/27-245	87102450	28,1	45	235
ARPM 45/27-1000	87100000	28,1	45	990

Scope of delivery: Module profile

Note: C = profile length; special lengths and module bridges for partial module mounting on request. Module caps as accessories.

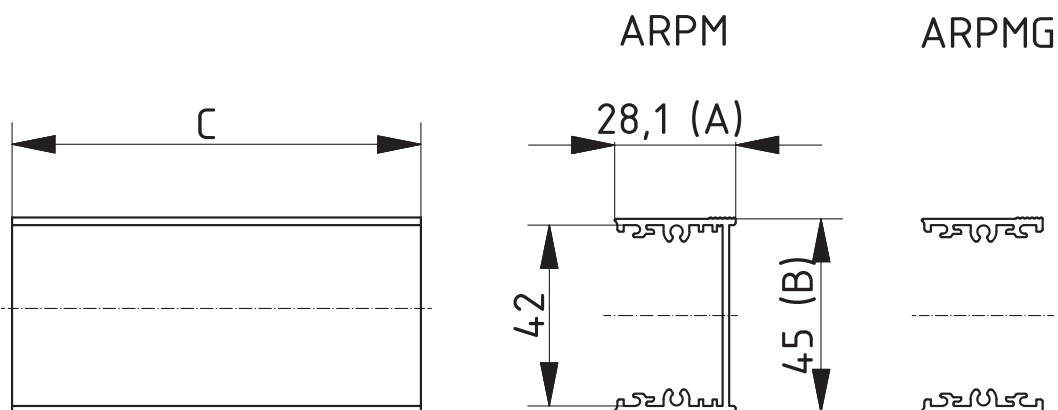


## Module profile, divided

Model	Order no.	A	B	C
ARPMG 00/27-35	87120350	28,1	45	25
ARPMG 00/27-52,5	87120525	28,1	45	42,5
ARPMG 00/27-70	87120700	28,1	45	60
ARPMG 00/27-105	87121050	28,1	45	95
ARPMG 00/27-140	87121400	28,1	45	130
ARPMG 00/27-175	87121750	28,1	45	165
ARPMG 00/27-210	87122100	28,1	45	200
ARPMG 00/27-245	87122450	28,1	45	235
ARPMG 00/27-1000	87120000	28,1	45	990

Scope of delivery: Module profile, 2 parts

Note: C = profile length; special lengths and module bridges for partial module mounting on request. Module caps and front panels as accessories.



# Alurail | Module profiles 75 for mounting on the basic profiles

## Module profile, one-piece

Model	Order no.	A	B	C
ARPM 75/42-35	87110350	43,1	75	25
ARPM 75/42-52,5	87110525	43,1	75	42,5
ARPM 75/42-70	87110700	43,1	75	60
ARPM 75/42-105	87111050	43,1	75	95
ARPM 75/42-140	87111400	43,1	75	130
ARPM 75/42-175	87111750	43,1	75	165
ARPM 75/42-210	87112100	43,1	75	200
ARPM 75/42-245	87112450	43,1	75	235
ARPM 75/42-1000	87110000	43,1	75	990

Scope of delivery: Module profile

Note: C = profile length; special lengths and module bridges for partial module mounting on request. Module caps and front panels as accessories.

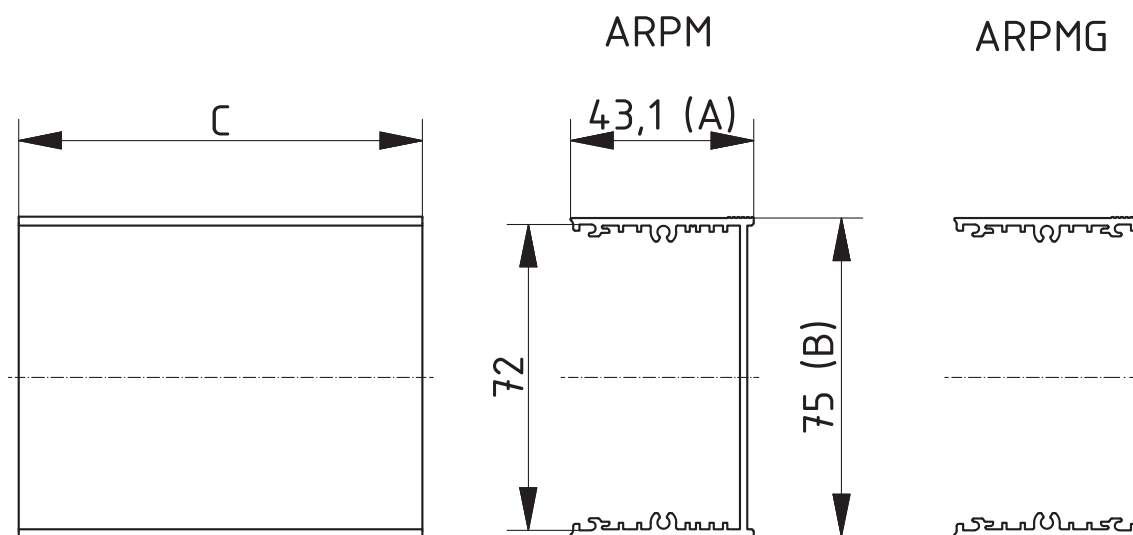


## Module profile, divided

Model	Order no.	A	B	C
ARPMG 00/42-35	87130350	43,1	75	25
ARPMG 00/42-52,5	87130525	43,1	75	42,5
ARPMG 00/42-70	87130700	43,1	75	60
ARPMG 00/42-105	87131050	43,1	75	95
ARPMG 00/42-140	87131400	43,1	75	130
ARPMG 00/42-175	87131750	43,1	75	165
ARPMG 00/42-210	87132100	43,1	75	200
ARPMG 00/42-245	87132450	43,1	75	235
ARPMG 00/42-1000	87130000	43,1	75	990

Scope of delivery: Module profile, 2 parts

Note: C = profile length; special lengths and module bridges for partial module mounting on request. Module caps and front panels as accessories.



## Alurail | Accessories

### Basic profile caps with drill holes for fixing the module



Model	Order no.	Note
AR 75/31-KS 1	87301100	For ARP(G) 75
AR 105/31-KS 1	87301200	For ARP 105

Scope of delivery: 2 basic profile caps, 4 fixing screws, 1 snap-on element, 1 positioning screw for snap-on element

Note: Special colours on request.

### Basic profile caps without drill holes



Model	Order no.	Note
AR 75/31-KS 2	87302100	For ARP(G) 75
AR 105/31-KS 2	87302200	For ARP 105

Scope of delivery: 2 basic profile caps, 4 fixing screws, 1 snap-on element, 1 positioning screw for snap-on element

Note: Special colours on request.

### Side panels for basic profile, natural-coloured anodised aluminium



Model	Order no.	Note
AR 75-KS-AL	87304100	For ARP(G) 75/31-...
AR 75/45-KS-AL	87304200	For ARP(G) 75/31-... + ARPM(G) 45/27-...
AR 75/75-KS-AL	87304300	For ARP(G) 75/31-... + ARPM(G) 75/42-...
AR 105-KS-AL	87304110	For ARP 105/31-...
AR 105/45-KS-AL	87304210	For ARP 105/31-... + ARPM(G) 45/27-...
AR 105/75-KS-AL	87304310	For ARP 105/31-... + ARPM(G) 75/42-...

Scope of delivery: 2 side panels, 4 fixing screws, 1 snap-on element, 1 positioning screw for snap-on element

Note: Can be used as an alternative to the profile/module caps. This permits an especially narrow construction for the units. In place of basic profile front panel AR 75-...FP, it is necessary to use module profile front panel ARM 75-...FP or module profile front panel ARM 105-...FP. These profile front panels, or special designs for off-centre positioning of the module profiles, are available on request.

# Alurail | Accessories

## Module profile caps

Model	Order no.	Note
ARM 45/27	<b>87303100</b>	For ARPM(G) 45
ARM 75/42	<b>87303200</b>	For ARPM(G) 75

Scope of delivery: 2 module profile caps, 4 fixing screws, 2 mounting screws

Note: Special colours on request.



## Front panels for basic profiles, 2 mm, natural-coloured anodised aluminium

Model	Order no.	Note
AR 75-52,5 FP	<b>87400525</b>	For ARP(G) 75/31-52,5
AR 75-70 FP	<b>87400700</b>	For ARP(G) 75/31-70
AR 75-105 FP	<b>87401050</b>	For ARP(G) 75/31-105
AR 75-140 FP	<b>87401400</b>	For ARP(G) 75/31-140
AR 75-175 FP	<b>87401750</b>	For ARP(G) 75/31-175
AR 75-210 FP	<b>87402100</b>	For ARP(G) 75/31-210
AR 75-245 FP	<b>87402450</b>	For ARP(G) 75/31-245
AR 75-1000 FP	<b>87400000</b>	For ARP(G) 75/31-1000
AR 105-52,5 FP	<b>87410525</b>	For ARP(G) 105/31-52,5
AR 105-70 FP	<b>87410700</b>	For ARP(G) 105/31-70
AR 105-105 FP	<b>87411050</b>	For ARP(G) 105/31-105
AR 105-140 FP	<b>87411400</b>	For ARP(G) 105/31-140
AR 105-175 FP	<b>87411750</b>	For ARP(G) 105/31-175
AR 105-210 FP	<b>87412100</b>	For ARP(G) 105/31-210
AR 105-245 FP	<b>87412450</b>	For ARP(G) 105/31-245
AR 105-1000 FP	<b>87410000</b>	For ARP(G) 105/31-1000

Scope of delivery: 1 front panel



## Front panels for module profiles, 2 mm, natural-coloured anodised aluminium

Model	Order no.	Note
ARM 45-35 FP	<b>87420350</b>	For ARPM(G) 45(00)/27-35
ARM 45-52,5 FP	<b>87420525</b>	For ARPM(G) 45(00)/27-52,5
ARM 45-70 FP	<b>87420700</b>	For ARPM(G) 45(00)/27-70
ARM 45-105 FP	<b>87421050</b>	For ARPM(G) 45(00)/27-105
ARM 45-140FP	<b>87421400</b>	For ARPM(G) 45(00)/27-140
ARM 45-175 FP	<b>87421750</b>	For ARPM(G) 45(00)/27-175
ARM 45-210 FP	<b>87422100</b>	For ARPM(G) 45(00)/27-210
ARM 45-245 FP	<b>87422450</b>	For ARPM(G) 45(00)/27-245
ARM 45-1000 FP	<b>87420000</b>	For ARPM(G) 45(00)/27-1000
ARM 75-35 FP	<b>87430350</b>	For ARPM(G) 75(00)/42-35
ARM 75-52,5 FP	<b>87430525</b>	For ARPM(G) 75(00)/42-52,5
ARM 75-70 FP	<b>87430700</b>	For ARPM(G) 75(00)/42-70
ARM 75-105 FP	<b>87431050</b>	For ARPM(G) 75(00)/42-105
ARM 75-140 FP	<b>87431400</b>	For ARPM(G) 75(00)/42-140
ARM 75-175 FP	<b>87431750</b>	For ARPM(G) 75(00)/42-175
ARM 75-210 FP	<b>87432100</b>	For ARPM(G) 75(00)/42-210
ARM 75-245 FP	<b>87432450</b>	For ARPM(G) 75(00)/42-245
ARM 75-1000 FP	<b>87430000*</b>	For ARPM(G) 75(00)/42-1000

Scope of delivery: 1 front panel





## Alurail | Accessories



### Wall fitting for the basic profile, polyamide

Model	Order no.	Note
AR 52,5 WB	87310525	For ARP...-52,5
AR 70 WB	87310700	For ARP...-70
AR 105 WB	87311050	For ARP...-105
AR 140 WB	87311400	For ARP...-140
AR 175 WB	87311750	For ARP...-175
AR 210 WB	87312100	For ARP...-210
AR 245 WB	87312450	For ARP...-245

Scope of delivery: 2 wall fixing elements, 1 DIN rail

Note: The DIN rail length is identical to that of the relevant basic profile length of ARP 75 / ARP 105.



### Earthing set for basic profiles

Model	Order no.
AR-E	87309010

Scope of delivery: 5 earthing claws

Note: The earthing claw is pressed into the basic profile during assembly and breaks through the anodised layer, so ensuring proper contacting. The use of commercially available cable lugs for flat connectors acc. to DIN 46244-A6.3-0.8 permits earthing of the enclosure parts or the fitted components.



### Snap-on element for basic profiles, suitable for DIN rails acc. to DIN EN 60715 TH 35, polyamide

Model	Order no.
AR-R	87309020

Scope of delivery: 5 snap-on elements, 5 positioning screws

Note: Depending on the application, an additional snap-on element may be necessary with longer profiles to ensure optimal support on the DIN rail.



### Reinforcing spring, spring steel

Model	Order no.
AR-FED-BL	59009382

Scope of delivery: 1 reinforcing spring

To optimise the spring pressure, the reinforcing spring can also be mounted together with the snap-lock element.

