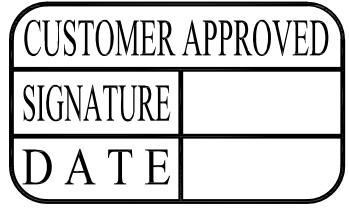
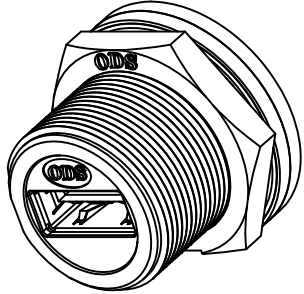
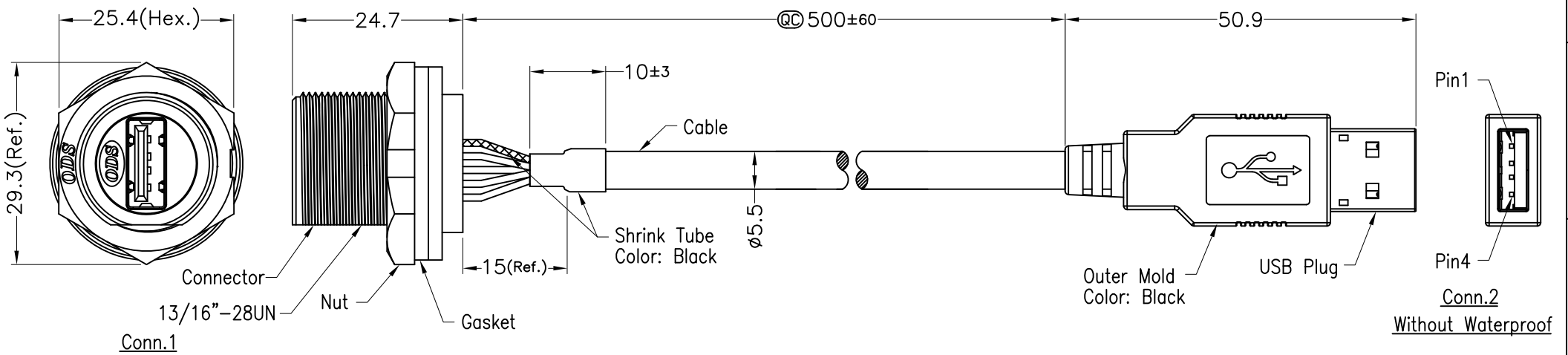
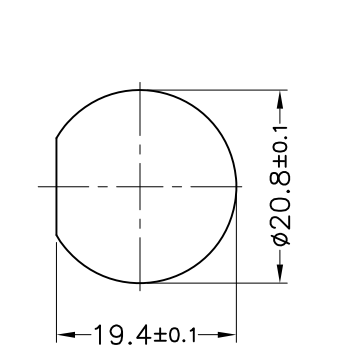
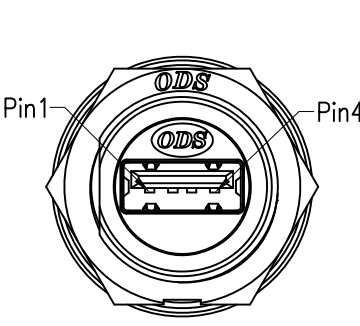


5	6	7	8
REV.	ECN NO.	DATE	SIGN
			DESCRIPTION



- Note:**
- Waterproof Rate: IP67
(No Ingress Of Dust/ Protected Against Harmful Effects Caused In 1 Meter Water Within 30 Minutes)
 - Temperature Range: -20°C to +80°C
 - Max. Panel Thickness 7.0mm (Without Cap Chain)
 - Material:
Connector: Nylon, Black
USB: USB A, PBT UL94V-0, White
Pin: Copper Alloy, Gold Plated
 - Cable:
USB2.0, 28AWG*1P+24AWG*2C+Al.Mylar+Drain+Braid
PVC, Black, UV Resistant, OD=φ5.5mm



Shield	Drain	地線	Shield
4	Black	黒	4
3	Green	緑	3
2	White	白	2
1	Red	紅	1
Conn.1	Wire Color		CONN.2
	Pin Out		

Twist

ODS 株式会社 アライドコントロール			
TITLE USB A,PANEL PLASTIC			
QC : QC check		DSGN. Nilson	PART NO. AL-USBUA-002
TOLERANCE ±0.50	 UNIT: mm SHEET 1 of 1	SCALE 1 : 1	DWN. Anna
		SIZE A4	CHKD. Willy
		REV. 01	APVD. Nilson
		DATE 2016/05/31	DATE 2016/05/31
		DATE 2016/05/31	DATE 2016/05/31